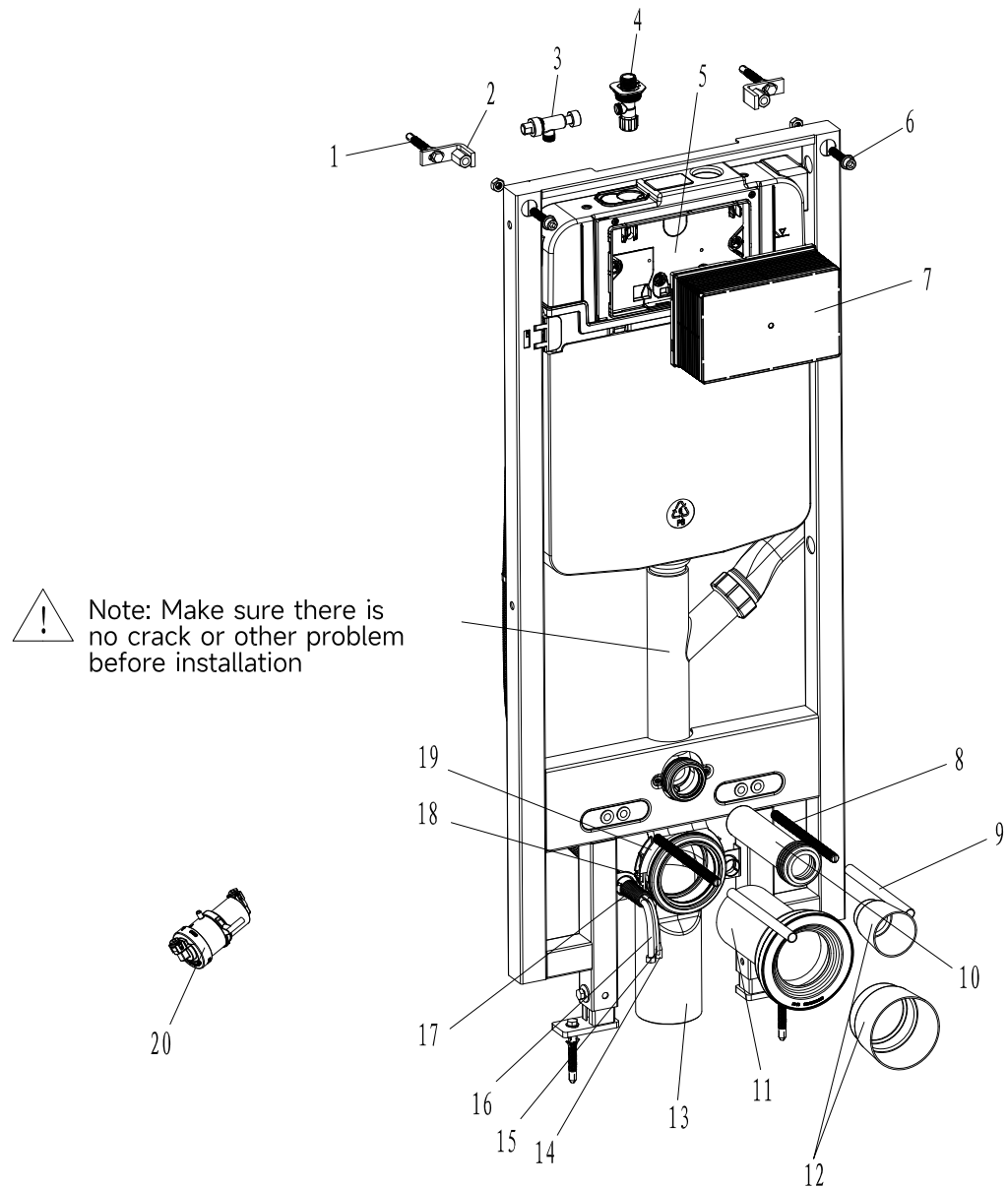


**To use the automatic flushing function, it is necessary to purchase
WATERGATE ADAPTA shower toilet (Pro or Pro+ model)**

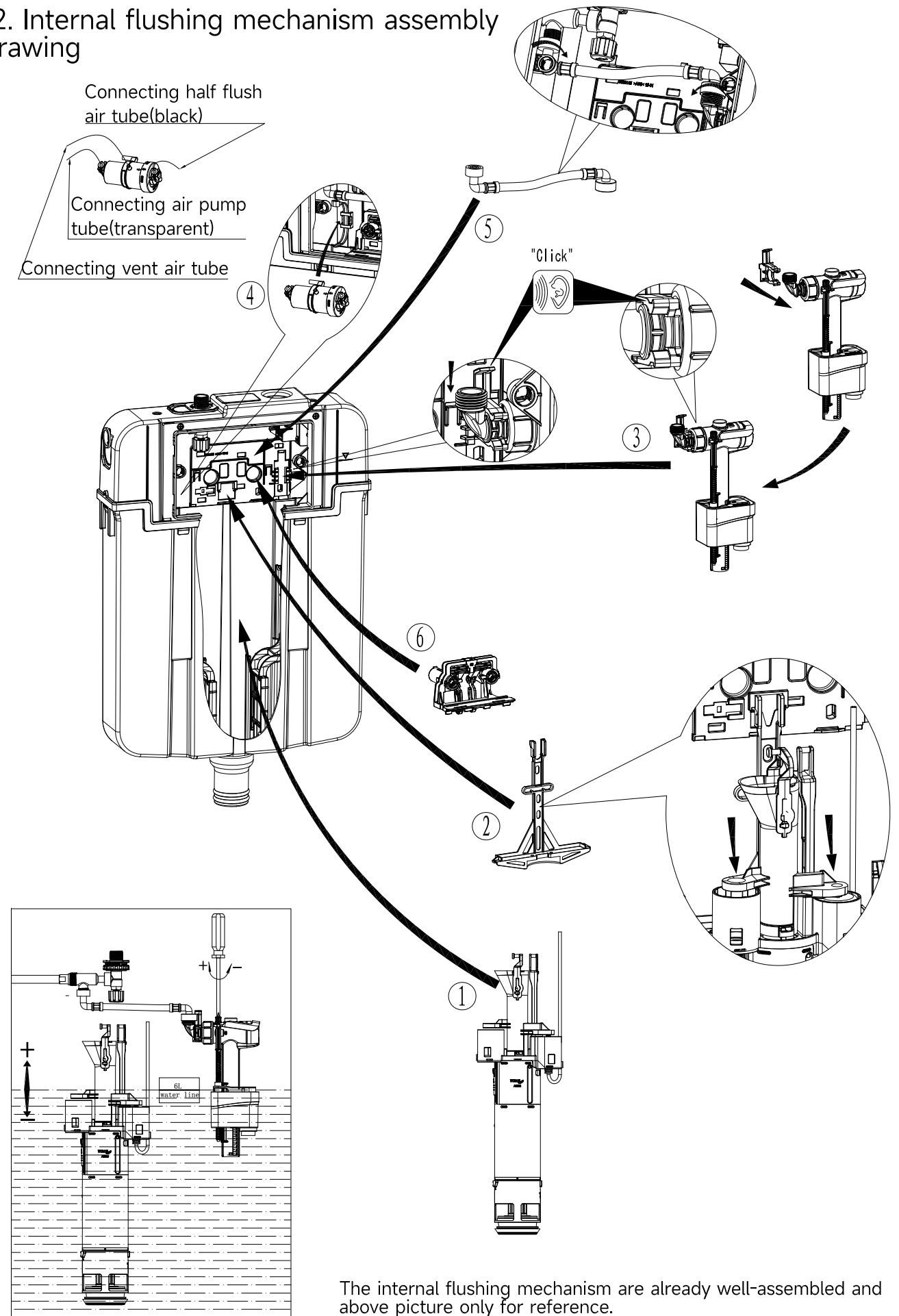
*For wall-mounted WC with connection dimensions according to EN 33:2011
For constructions carried out by the dry process*



List of main installation accessories

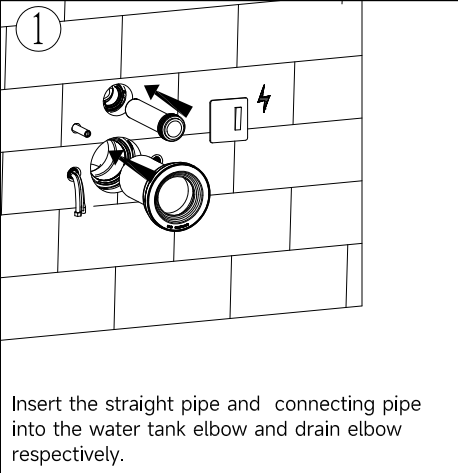
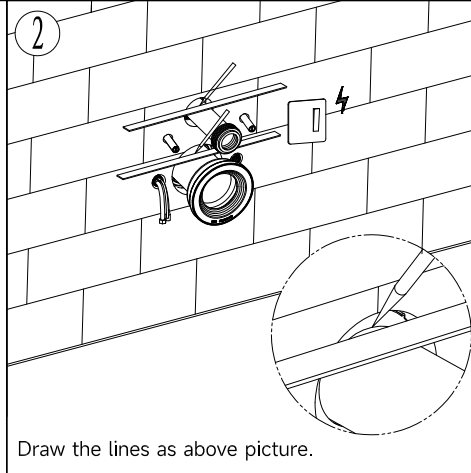
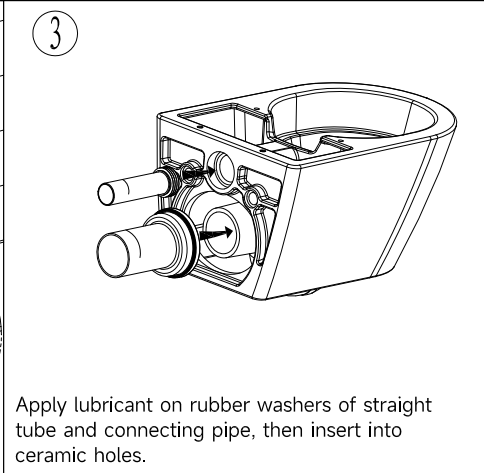
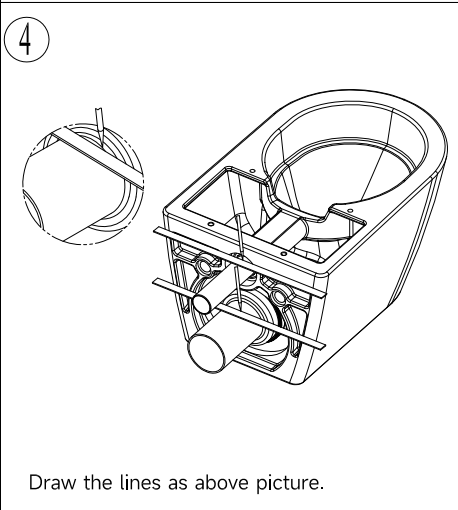
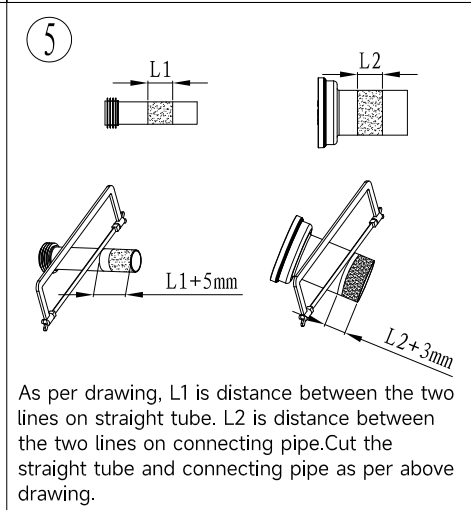
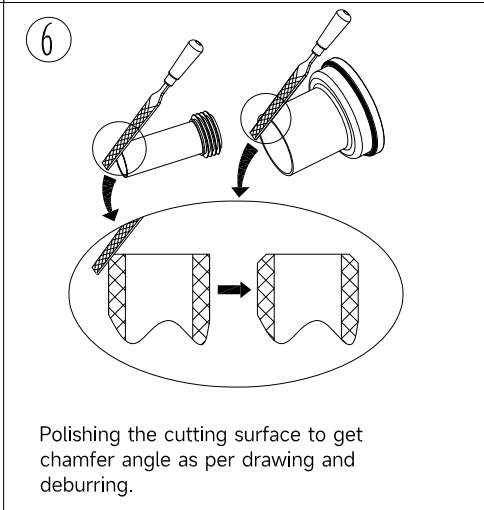
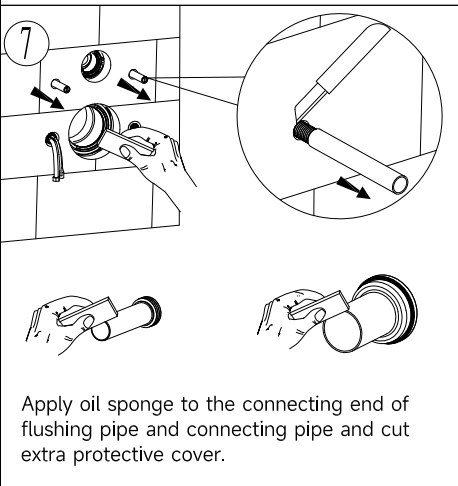
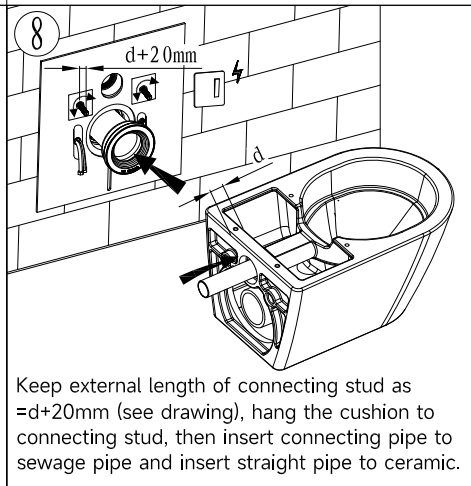
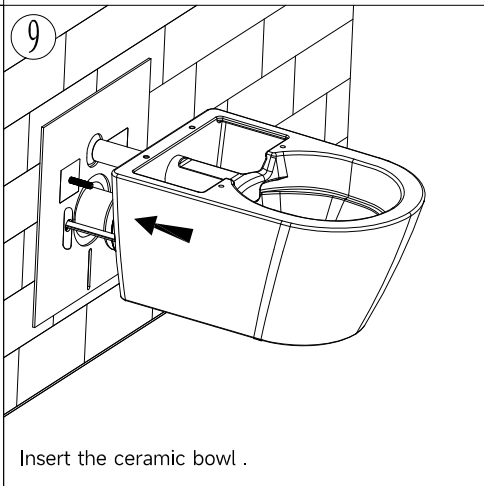
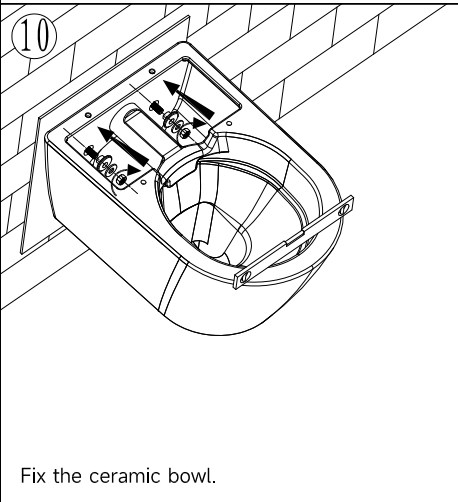
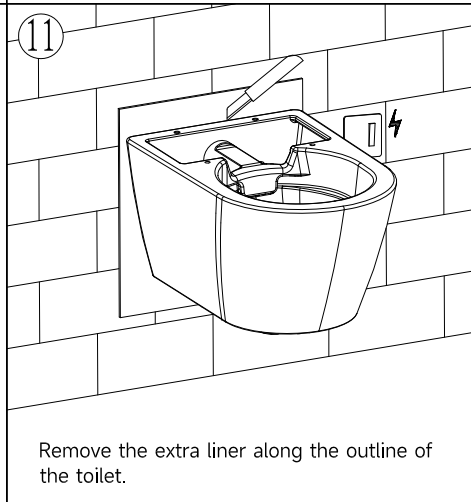
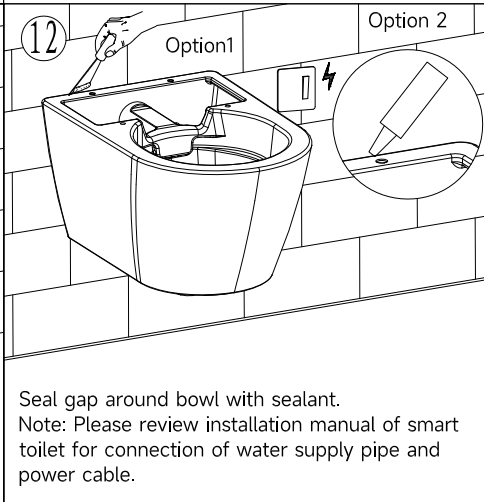
No.	Description	Qty	Function
1	Expansion screw	4	Fix the frame and fixed angle
2	Wall fixing bracket	2	Fixation of frame
3	T- connector	1	To connect braided pipe
4	Angle valve	1	Water inlet switch of fill valve
5	Cistern cover	1	To fix bracket and seal water tank
6	Socket head screw	2	To mount and lock metal frame to wall bracket
7	Installation box	1	Reserve space for installing push plate and avoid dust or other dirt entering cistern when building wall
8	Connecting stud	2	To mount ceramic bowl
9	Protective cover	2	To protect connecting screw at wall building
10	Straight pipe	1	
11	Connecting pipe	1	To supply water from cistern to toilet (Length to be adjusted according to wall thickness)
12	Big and small dust proof plugs	1pc for each	To reserve space for straight pipe and bend pipe during wall building
13	Sewage pipe	1	To discharge waste from toilet
14	Deodorization connecting cable	1	To supply 12V DC power and deodorization signal by connecting smart toilet and deodorization module
15	Air tube	1	To supply air for pneumatic flush valve by connecting smart toilet and pneumatic flush valve
16	Water supply pipe	1	To supply water for smart toilet
17	Guiding pipe	2	To protect electricity cable and water supply pipe
18	Clamp	1	To mount draining syphon
19	Fixing bracket	1	
20	Air controlling device	1	To control air inlet

12. Internal flushing mechanism assembly drawing



The internal flushing mechanism are already well-assembled and above picture only for reference.

11. Mounting of ceramic bowl

 <p>① Insert the straight pipe and connecting pipe into the water tank elbow and drain elbow respectively.</p>	 <p>② Draw the lines as above picture.</p>	 <p>③ Apply lubricant on rubber washers of straight tube and connecting pipe, then insert into ceramic holes.</p>
 <p>④ Draw the lines as above picture.</p>	 <p>⑤ As per drawing, L1 is distance between the two lines on straight tube. L2 is distance between the two lines on connecting pipe. Cut the straight tube and connecting pipe as per above drawing.</p>	 <p>⑥ Polishing the cutting surface to get chamfer angle as per drawing and deburring.</p>
 <p>⑦ Apply oil sponge to the connecting end of flushing pipe and connecting pipe and cut extra protective cover.</p>	 <p>⑧ Keep external length of connecting stud as $d+20\text{mm}$ (see drawing), hang the cushion to connecting stud, then insert connecting pipe to sewage pipe and insert straight pipe to ceramic.</p>	 <p>⑨ Insert the ceramic bowl.</p>
 <p>⑩ Fix the ceramic bowl.</p>	 <p>⑪ Remove the extra liner along the outline of the toilet.</p>	 <p>⑫ Seal gap around bowl with sealant. Note: Please review installation manual of smart toilet for connection of water supply pipe and power cable.</p>

Important instruction:

1. Please adhere to the following installation instructions. We shall not be responsible for failures and loss that are contributed to improper installation.
2. Please confirm the fixation location of Frame prior to installation and obtain the finished floor surface. Draw FFL on installation wall and follow it as baseline from ZERO (0) level.
3. The instructions have been composed based in the latest product specifications. We reserve the right to make modifications to the packaging and specifications without providing prior notification.

NOTES:

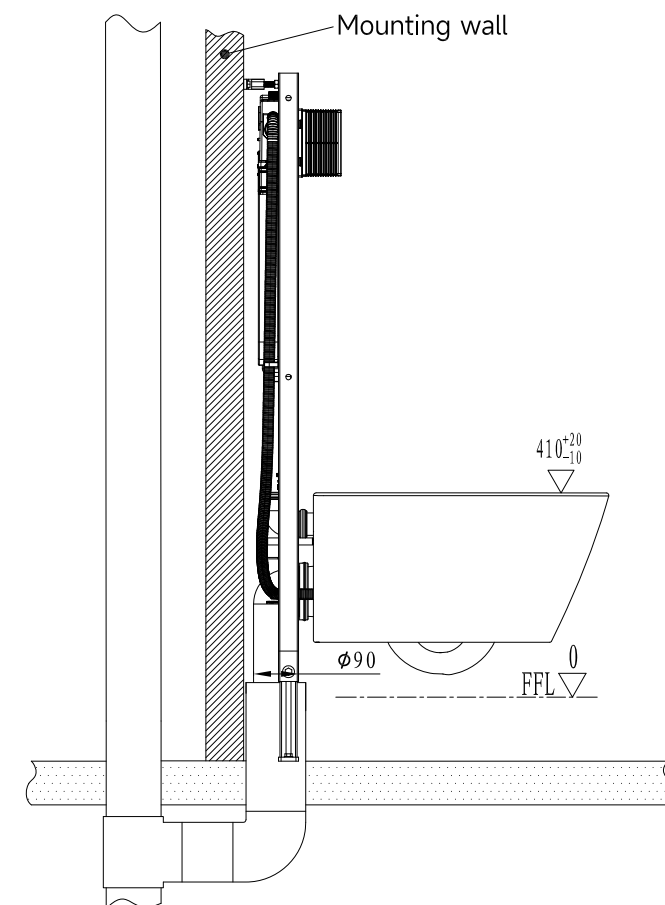
1. Mount before bricks building.
2. All size unit in MM.
3. Follow the material product, should there is an unconformity with drawing.

! FFL 0 = Finished Floor.

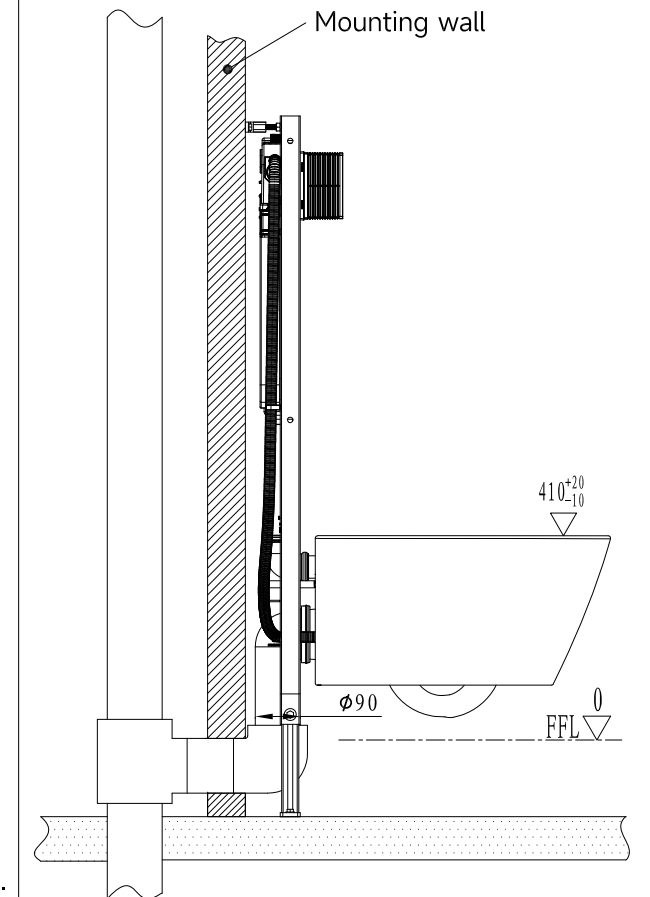
1. Drainage System Layout

Drawing 1 to 3 are three different installation systems for drain pipe. Customer should confirm whichever installation system according to drainage outlet position. If drainage outlet does not fall within the three systems, customer should follow one of three drainage system layout to correspond installation of our concealed cistern.

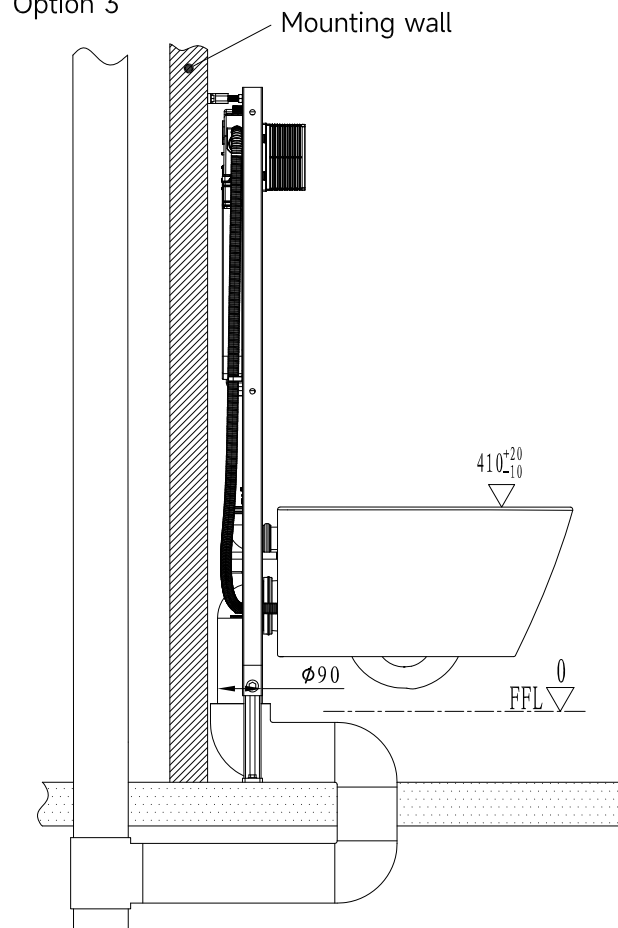
Option 2



Option 1

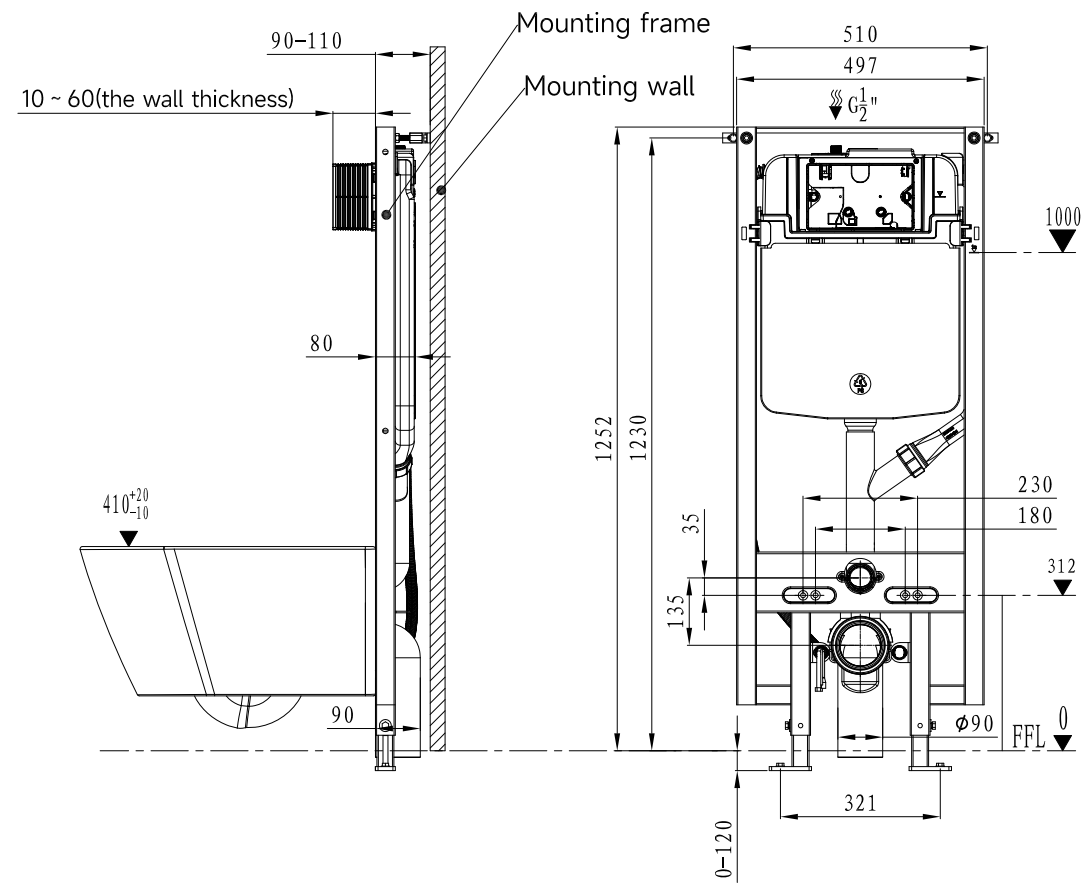


Option 3

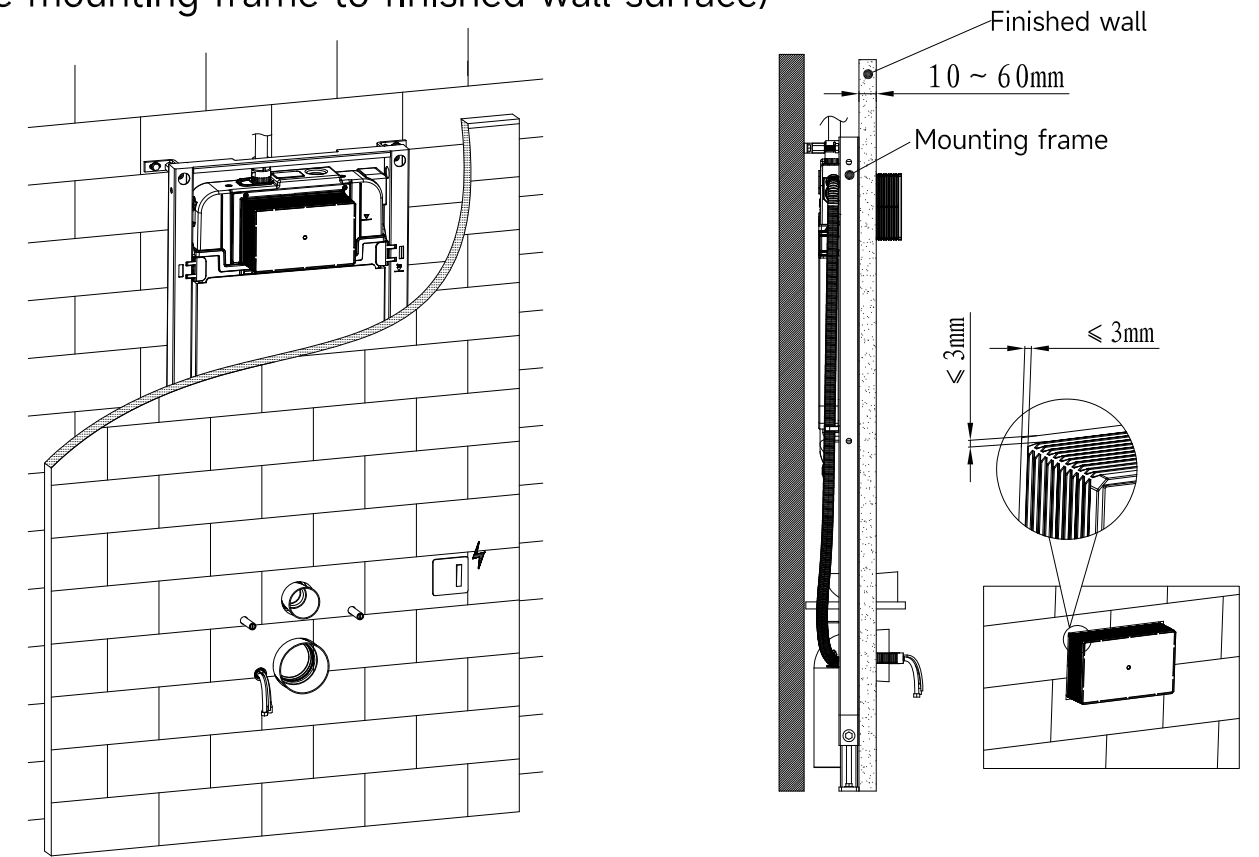


2. General dimension and water supply drawing

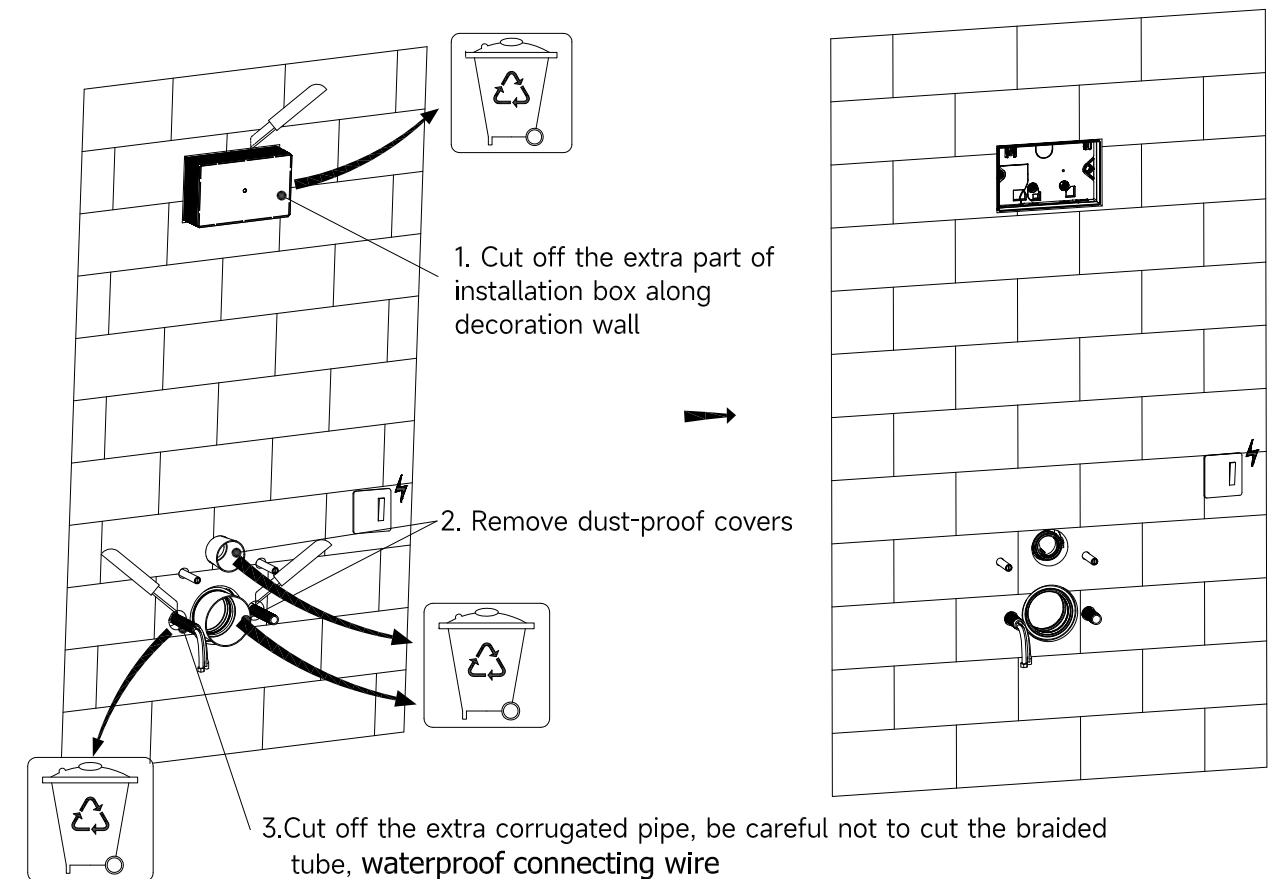
Water supply from top (water supply should be connected to angle valve inside cistern)



9. Decoration wall thickness range 10~60mm (from the outside surface of the mounting frame to finished wall surface)

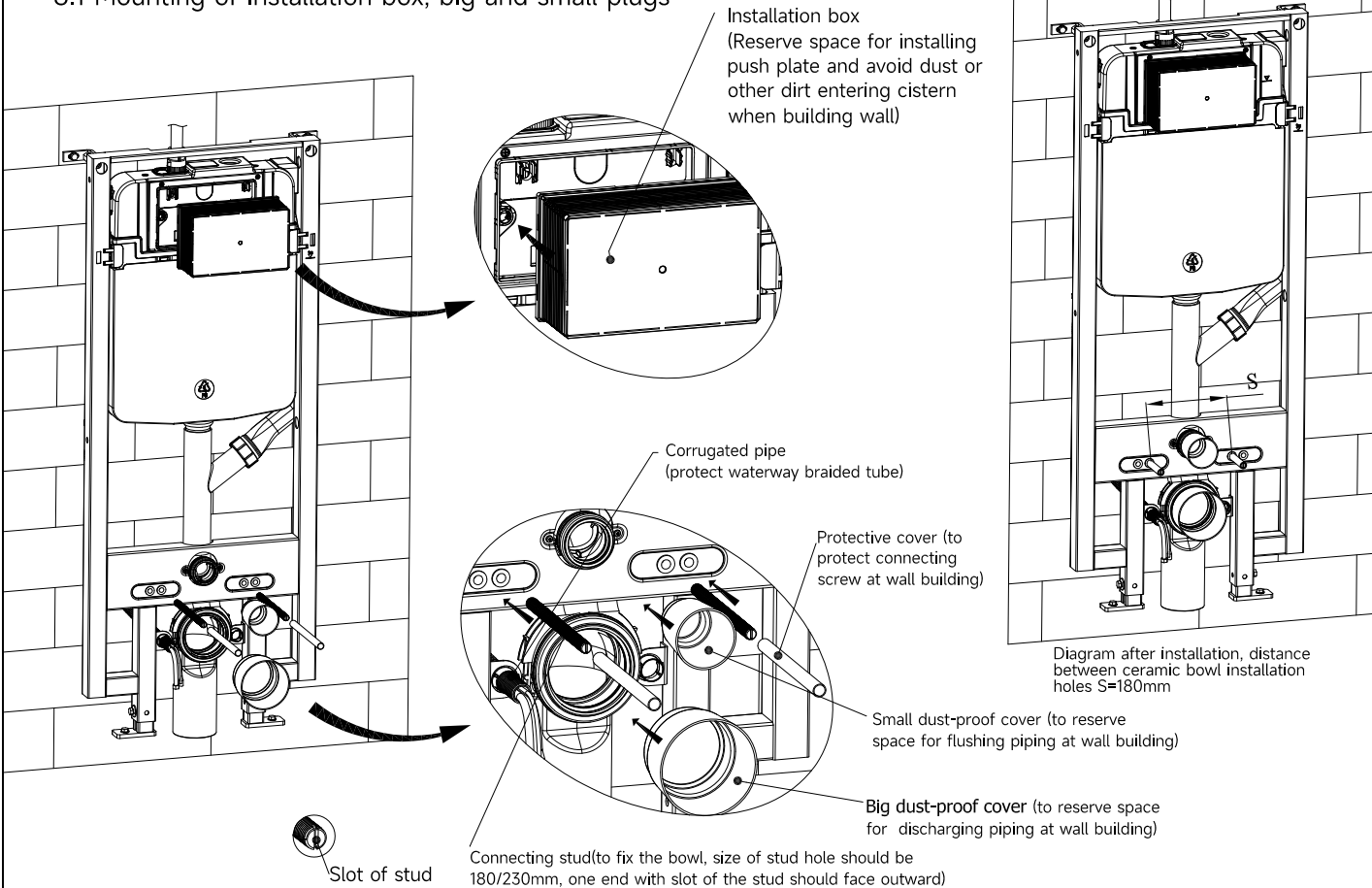


10. Remove extra installation boxes, corrugated pipe, dust-proof covers

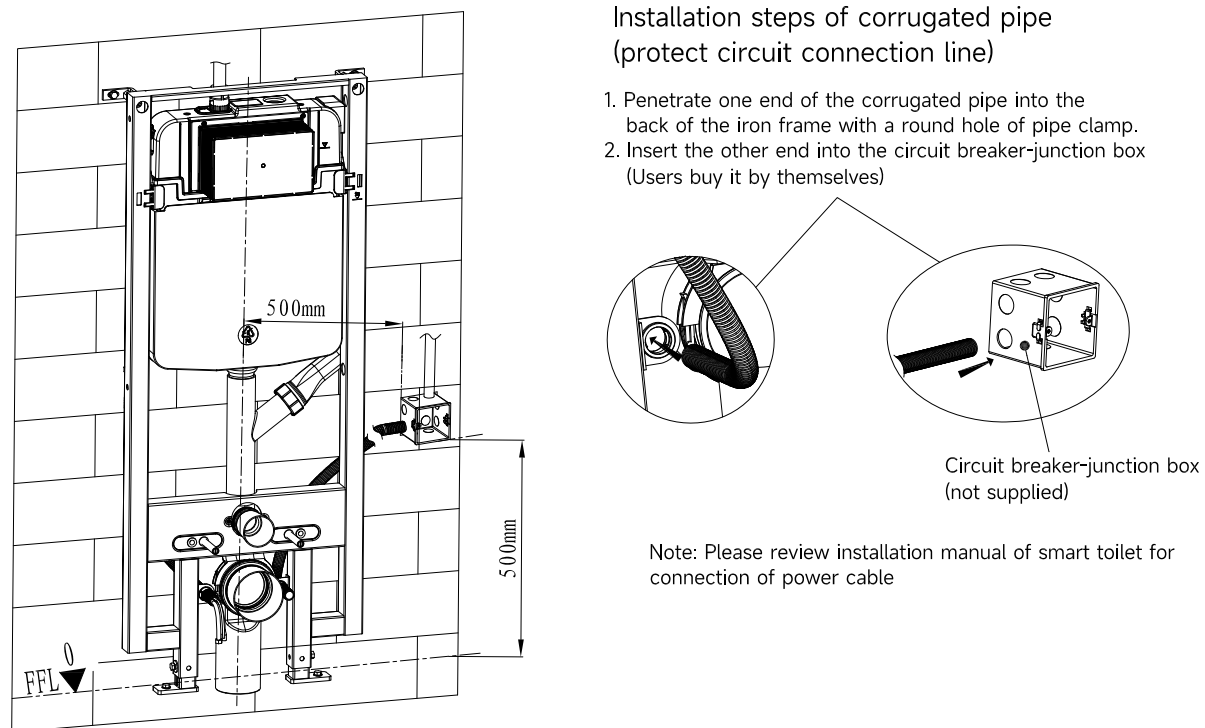


8. Mounting of installation accessories

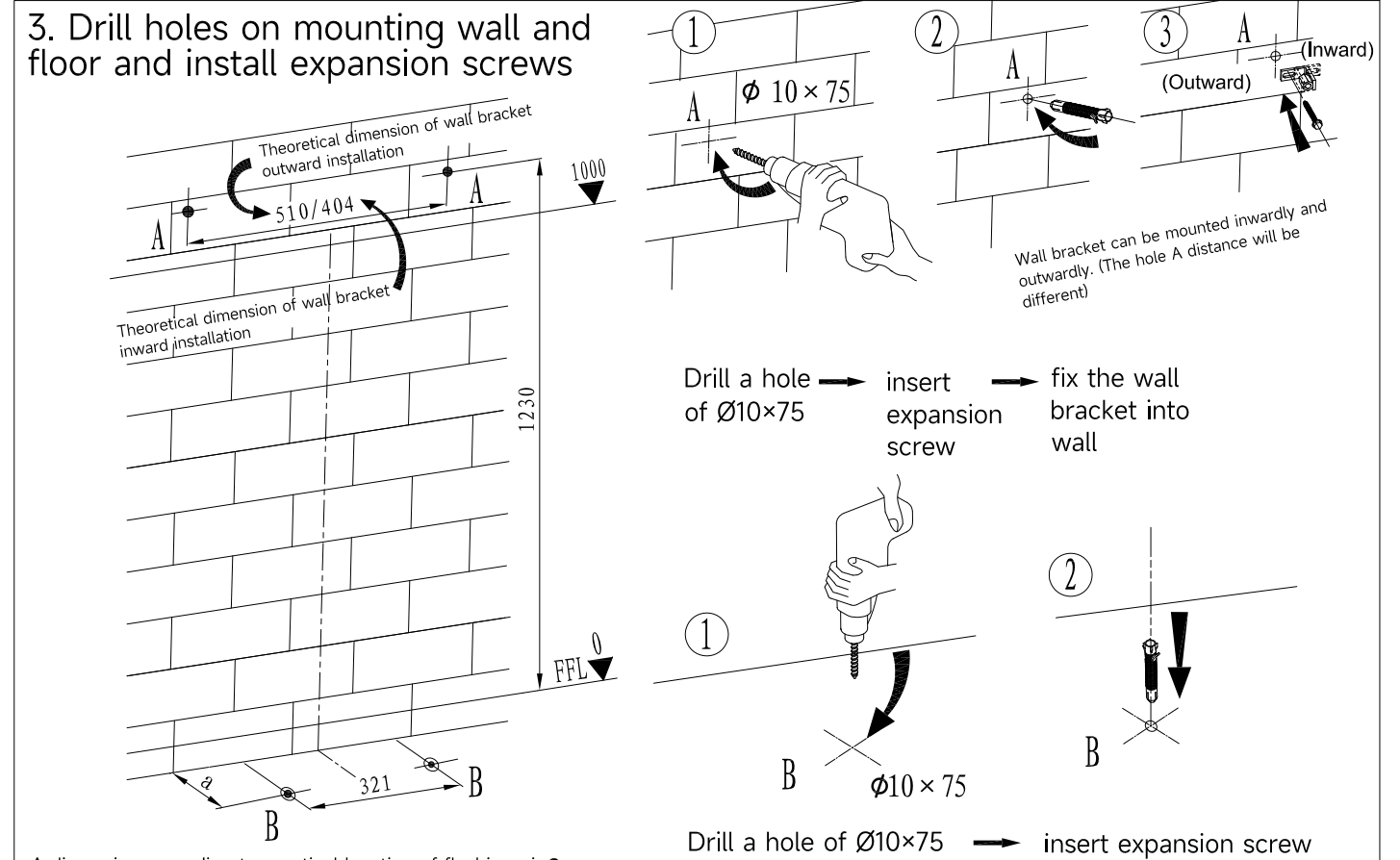
8.1 Mounting of installation box, big and small plugs



8.2 Installation steps of corrugated pipe (protect circuit connection line)



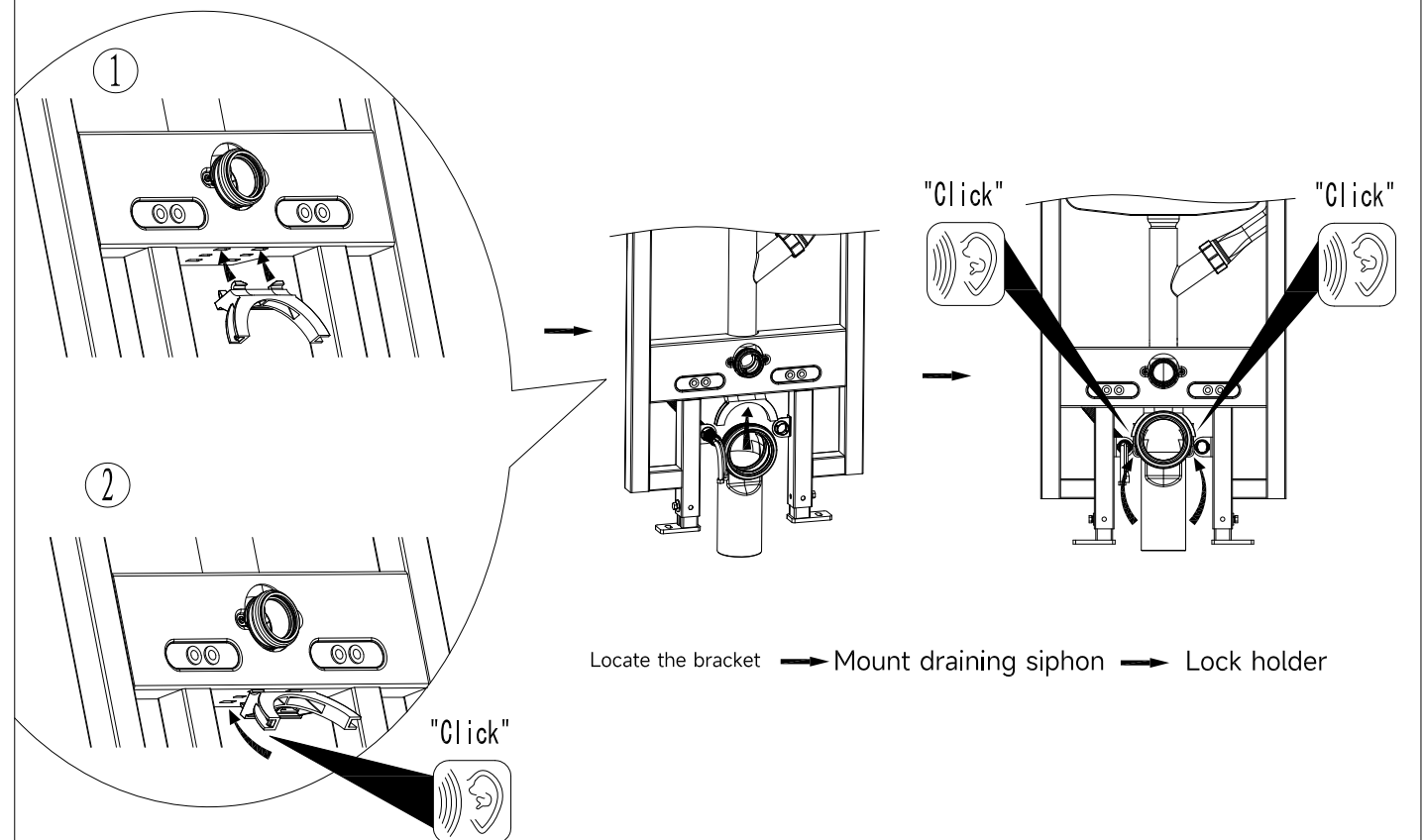
3. Drill holes on mounting wall and floor and install expansion screws



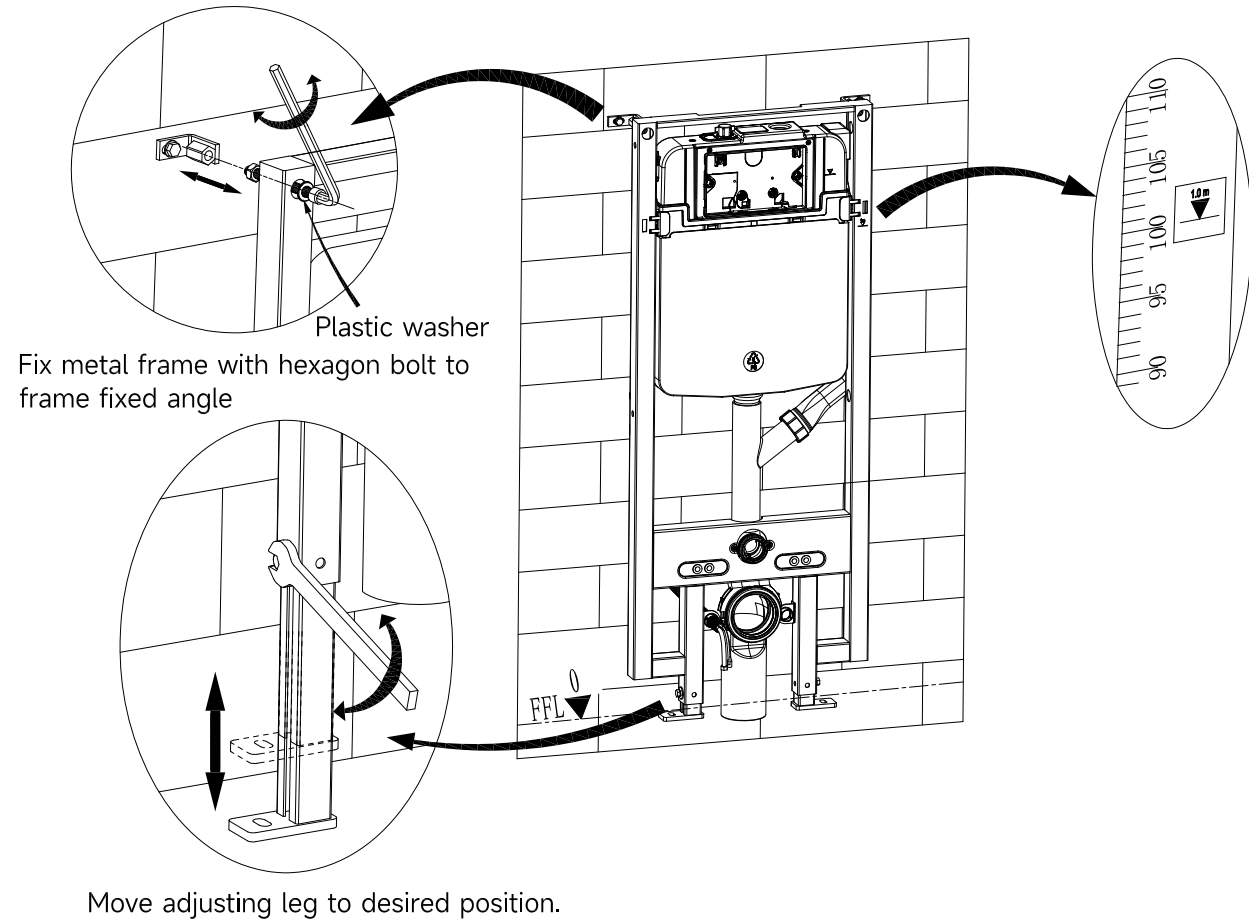
A dimension according to practical location of flushing pipe

☆Note: Above drilling are theoretical dimensions of frame mounting. Please follow by the practical location of frame.

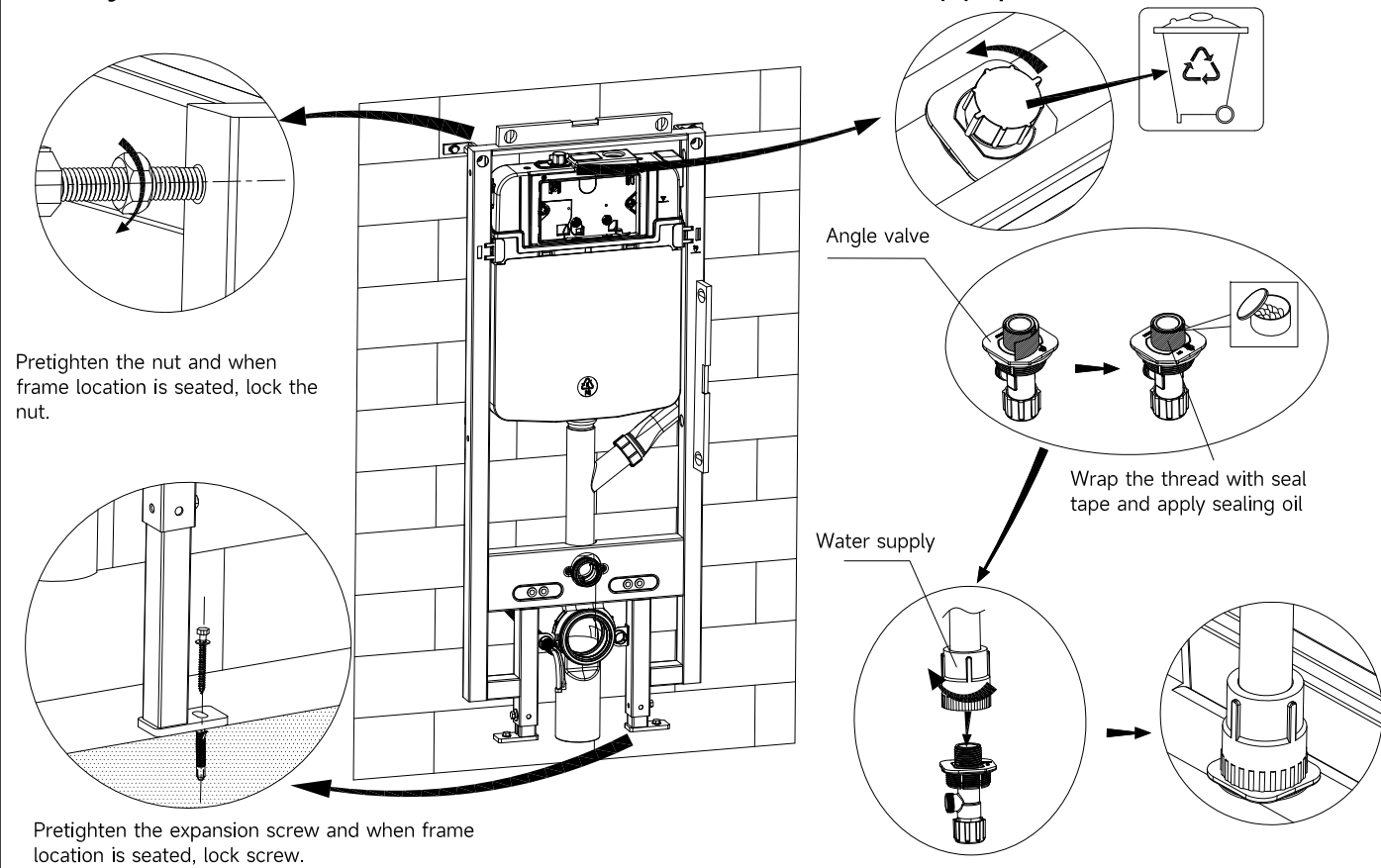
4. Installation of draining siphon



5. Adjustment of hexagon bolt , adjustment of frame feet



6. Adjust the frame, then fix it, and install water supply



7. Check if cistern can flush properly

